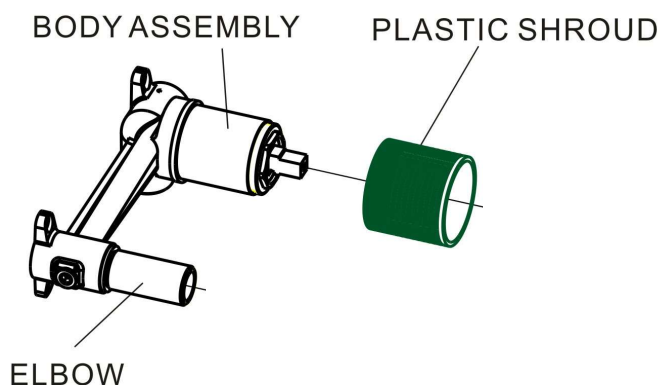


ALDER UNIVERSAL CONCEALED ASSEMBLY LEVER UP SAVE MODE™

Featuring the Exclusive Collection
vito berton



FOR MORE INFORMATION VISIT
www.aldertapware.com.au

SPECIFICATIONS

PRODUCT CODES:	42510
MATERIAL:	BRASS
CARTRIDGE:	35mm ceramic disc
TEMPERATURE:	MAX 75° C
PRESSURE:	MAX 500 KPA
CONNECTIONS:	½" BSP Female
INSTALLATION:	UNIVERSAL FIXED CONCEALED ASSEMBLY Handle right side only
ACCREDITATIONS:	AS/NZS 3718 – WM 002002

PRODUCT FEATURES

- Universal Fixed Concealed Assembly that is to be used with WISH2
- Offers simplicity and flexibility
- Handle up design is for products with the handle inverted or up
- Green tiling shroud indicates handle up design
- Solid brass construction with a ceramic disc cartridge
- Australian designed and engineered
- Supported by a 15 year warranty