

# alder

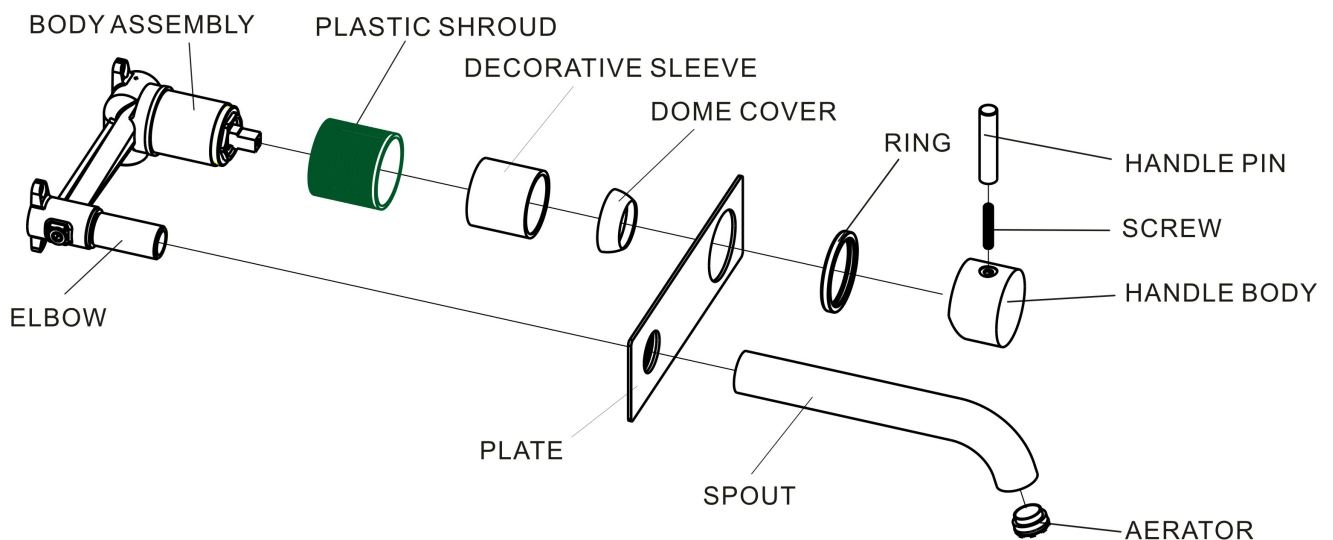
## 42510 ALDER UNIVERSAL FIXED CONCEALED ASSEMBLY MIXER LEVER UP SAVE MODE™

### WISH2 WALL BASIN / BATH MIXER SET BACKPLATE TRIM KIT SAVE MODE™ TK2

CHROME	BLACK	BRUSHED NICKEL	BRASS	COPPER	GRAPHITE
TK242196S 180mm TKS42192S 220mm	TK240196S 180mm TK240192S 220mm	TK241196S 180mm TK241192S 220mm	TK242211S 220mm	TK242207S 220mm	TK242201S 220mm

#### SPECIAL NOTE

Please note that this product has been assembled as a WALL BASIN SET with a 5 STAR 6L/Min flow regulator. For applications where the flow regulator is not required e.g., BATH, a full flow aerator insert has been supplied in this box. For removal of the flow regulator, use aerator spanner supplied – see Diagram #6 page 2



#### BRICK VENEER – TIMBER NOGGING INSTALLATION

Diagram #1 Make level on the nogging and insert four screws - do not remove PROTECTIVE COVER and TILING PLUG

#### BRICK MASONRY INSTALLATION

Diagram #1 Make level in brickwork with self-tapping screws in 5mm drilled hole – when level and perpendicular to wall, assembly ready for cementing in wall - do not remove PROTECTIVE COVER and TILING PLUG

## GENERAL FOR TIMBER NOGGING & BRICK MASONRY

Diagram #2 Before tiling remove PROTECTIVE COVER and TILING PLUG and re-assemble TILING PLUG onto ELBOW

Diagram #3 After tiling remove PROTECTIVE COVER and TILING PLUG

Diagram #4 Insert DECORATIVE SLEEVE & DOME CAP and WALL PLATE – TILING PLUG recess will accommodate REAR DRESS RING – recommend Plumbers' Mastic to prevent water ingress behind WALL PLATE

Diagram #5 Screw on SPOUT to ELBOW using sealing tape. Assemble SLIP RING onto MIXER BODY

Diagram #6 Assemble LEVER with supplied 2.5mm Allen Key  
*Ensure correct regulator / aerator is fitted to the spout*

**NOTE: REFER TO UNIVERSAL WALL MIXER INSTRUCTIONS FOR MIXER WATERPROOFING**

