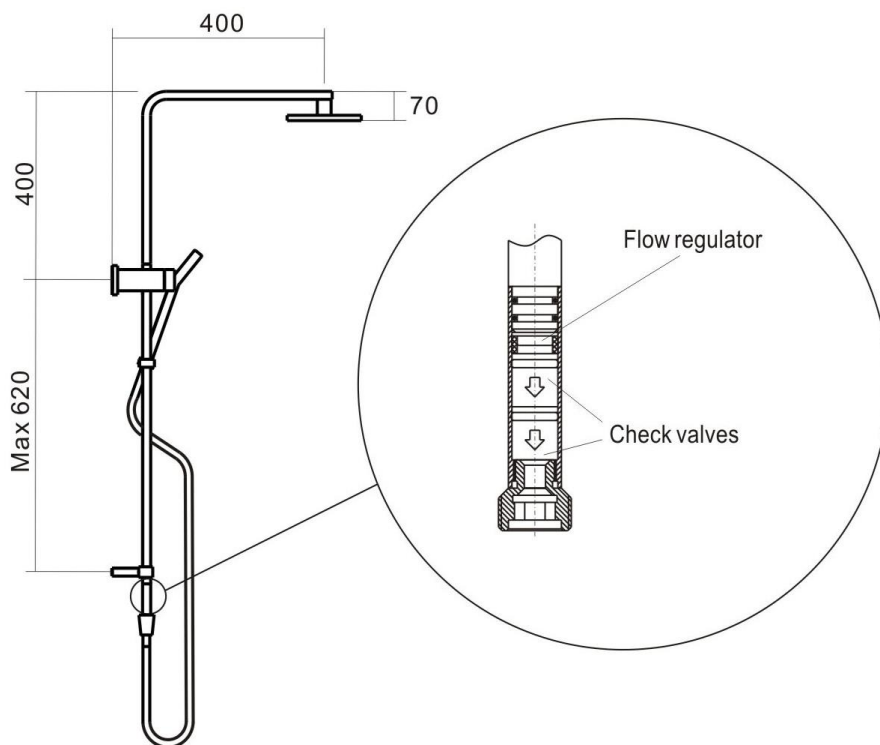


PRODUCT: LYNX ECO DUAL SHOWER RECTANGULAR

vito berton[®] showers have **AQUAZZONE[®] TECHNOLOGY** to give you an invigorating shower experience that will awaken your senses and leave you satisfied and refreshed.



MAINTENANCE

This product has been meticulously engineered so that both the RAIN SHOWER and HANDSET produce luxurious shower experiences at reduced flow rates as required by the Water Efficient Labelling Standards of Australia (WELS).

If a noticeable reduction of flow is experienced, please check the FLOW REGULATORS for foreign matter as follows:

- RAIN SHOWER – unscrew to locate FLOW REGULATOR in inlet thread
- HANDSET – unscrew adaptor at bottom of vertical rail to locate FLOW REGULATOR

Clean product with warm soapy water and soft cloth. Do not use abrasive cleaning solutions

OPERATION

- RAIN SHOWER – operating pin at 12 o'clock position
- HANDSET – operating pin at 6 o'clock position
- RAIN SHOWER & HANDSET – operating pin at 9 o'clock position

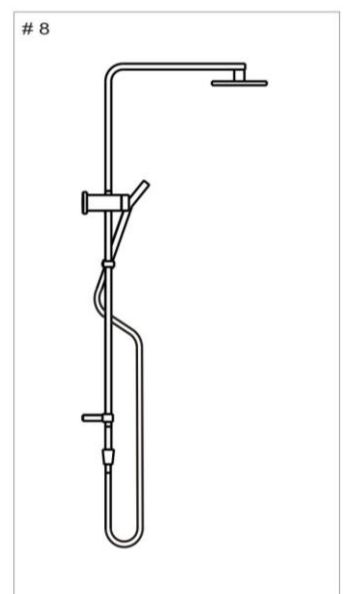
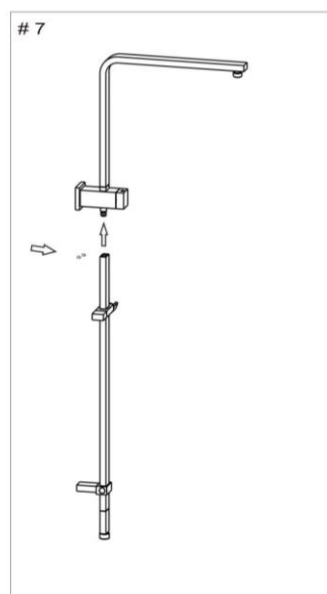
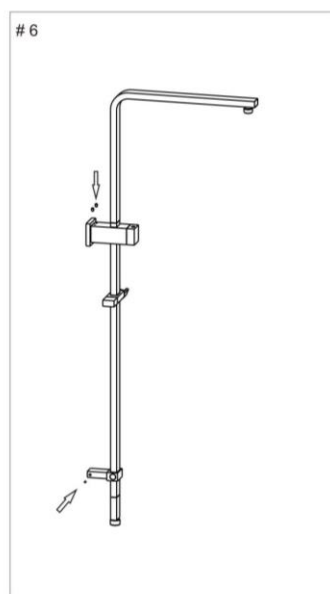
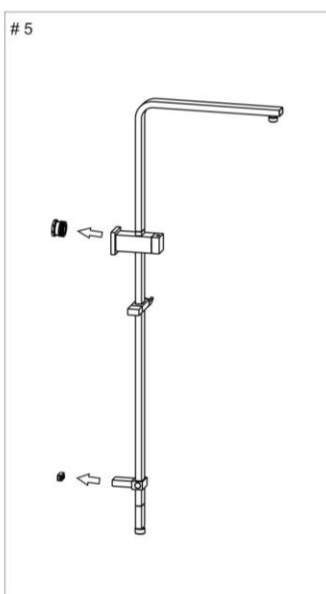
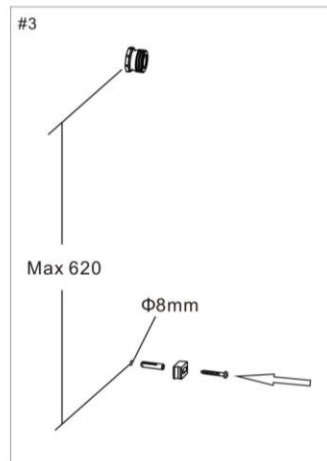
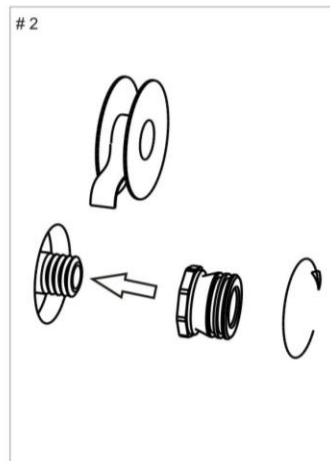
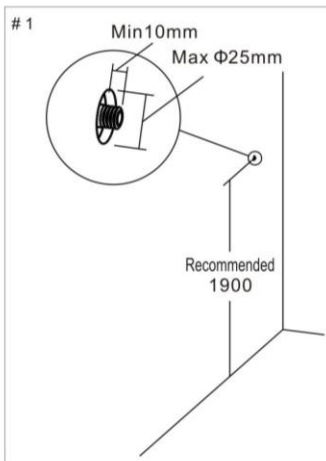
WARRANTY

Warranty becomes void if:

- Products exposed to pressures that exceed 500 KPA and or temperatures that exceed 75°C within a building – Refer AS/NZS 3500.1:2003 (Clause 3.34)
- Flow Regulators are removed
- Product not installed in accordance with installation instructions – see over
- Inadequate flushing of system prior to usage, causing damage and/or obstructions to the product.

INSTALLATION: LYNX ECO DUAL SHOWER RECTANGULAR

- Diagram # 1 Install G1/2 male threaded shower outlet at recommended height of 1900mm above the floor of the shower recess. The resultant height of the RAIN SHOWER is 2200mm
- Diagram #2 FULLY unscrew top grub screws from diverter and remove top connector piece (avoid damage to O-rings). Apply thread tape to the G1/2 male thread then screws on the top connector piece
- Diagram #3 Attach the square block plate to the wall using screw / plastic plug supplied. Block plate to be vertically in line with top connector piece. Groove must be on the same side as grub screw on wall bracket. Grub screw hole in 6 o'clock position. Vertical distance between top and bottom connections is variable – maximum 620mm
- Diagram #4 Push bottom rail onto the underside of the diverter – no thread tape required. Do not tighten the 2 grubs screw at back of rail completely yet; leave these grub screws slack, but ensure screws are evenly tight.
- Diagram #5 Make sure that the grub screws on the top of diverter are wound out. Push the diverter over the top connector piece and the bottom post over the block
- Diagram #6 Tighten the grub screws on the top of diverter and bottom of the rail to ensure secure fit.
- Diagram #7 Tighten the 2 grubs screw at back of rail completely ensuring the top and bottom rail are completely vertical and level
- Diagram #8 Screw the RAIN SHOWER onto the top arm and attach shower hose to bottom of rail. Ensure that black sealing washers are in place



For all servicing needs, please contact CUSTOMER SERVICE on:
 FREECALL: 1800 800 919 PHONE: 08 6217 0600 FAX: 08 6217 0699 EMAIL: customer.service@aldertapware.com.au