

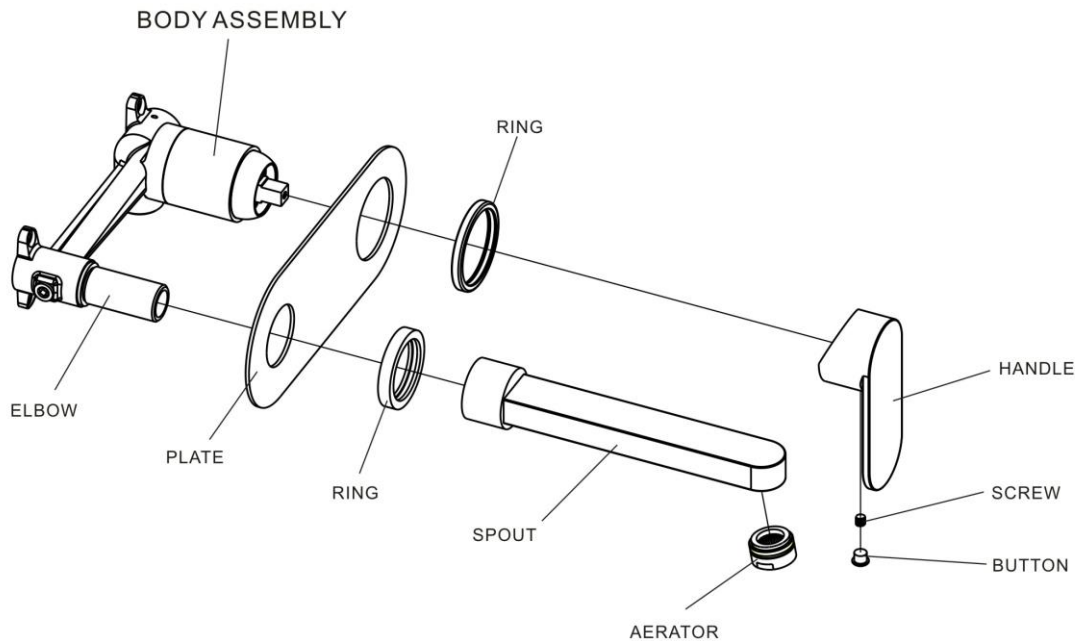
# KALI WALL BASIN/BATH SETS

## KALI WALL BASIN/BATH SET BACK PLATE – RIGHT HAND

### SPECIAL NOTE

*Please note that this product has been assembled as a WALL BASIN SET*

*For applications where the flow regulator is not required e.g. BATH, a full flow aerator insert has been supplied in this box.*



## BRICK VENEER – TIMBER NOGGIN INSTALLATION

Diagram #1 Mark desired position of wall set and fit screw on left hand side of BODY ASSEMBLY

Diagram #2 With the DOTTED LINE on the wall mixer cover at the 12 O'CLOCK POSITION, use levelling tool as shown and mark the right-hand side screw hole

Diagram #3 Fit all other screws – re-check level

## BRICK MASONRY INSTALLATION

Diagram #1 Fix wall set to brickwork with self-tapping screw in 5mm drilled hole

Diagram #2 With the DOTTED LINE on the wall mixer cover at the 12 O'CLOCK POSITION, use levelling tool as shown and mark the right-hand side 5mm screw hole

Diagram #3 Fit self-tapping screw on right hand side – check level – additional screws not necessary  
Assembly is ready to be cemented in position  
During cementing, check alignment with levelling tool

---

For all servicing needs, please contact CUSTOMER SERVICE on:

FREECALL: 1800 800 919

PHONE: 08 6217 0600

FAX: 08 6217 0699

EMAIL: [customer.service@aldertapware.com.au](mailto:customer.service@aldertapware.com.au)

[www.aldertapware.com.au](http://www.aldertapware.com.au)

V01 240117

## GENERAL FOR TIMBER NOGIN & BRICK MASONRY

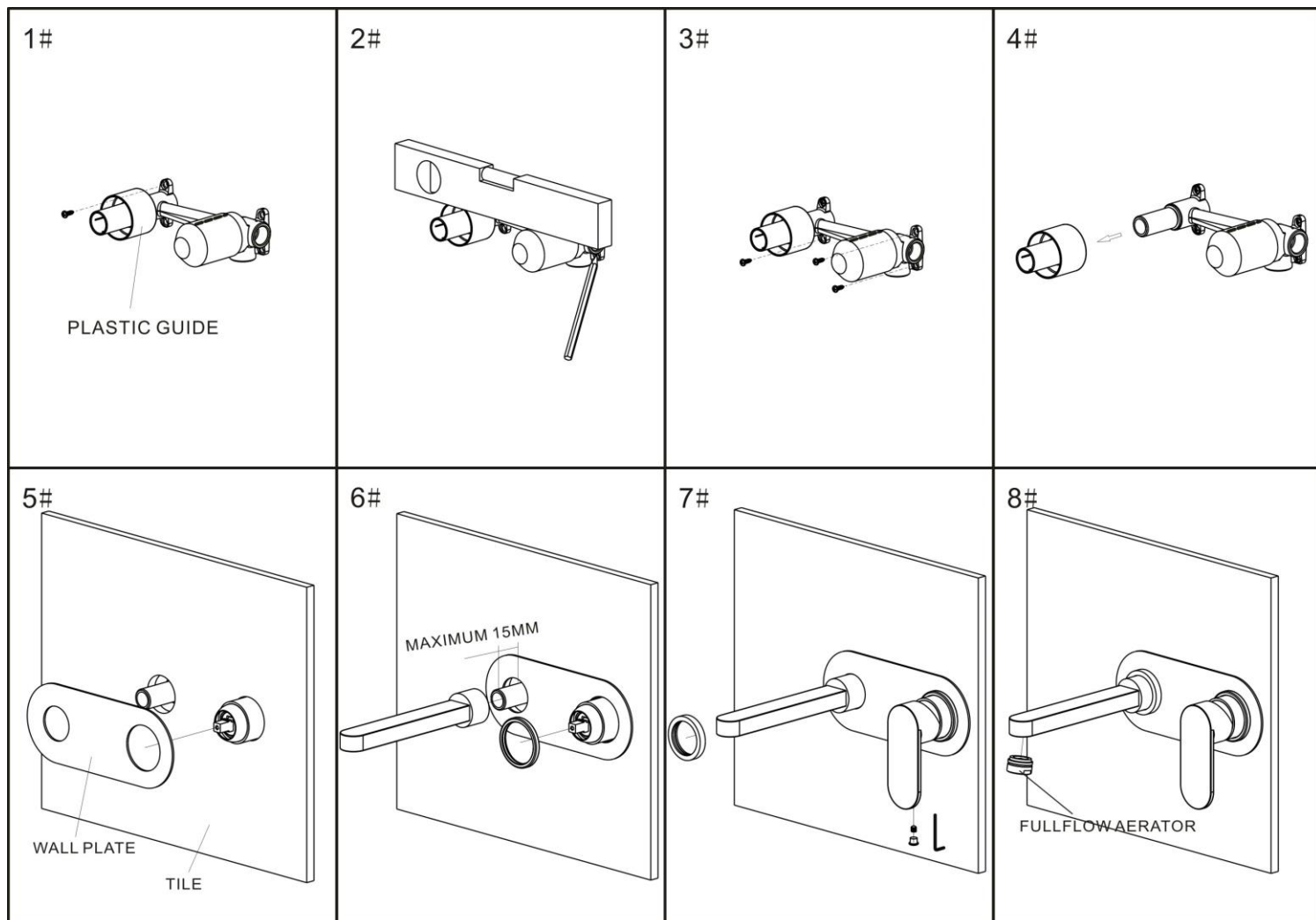
Diagram #4 Remove PLASTIC GUIDE to complete tiling

Diagram #5 Assemble WALL PLATE to tiled surface – recommend Plumbers' Mastic to prevent water ingress behind plate

Diagram #6 Screw on SPOUT to Elbow using sealing tape. Assemble SLIP RING to MIXER BODY

Diagram #7 Assemble HANDLE with supplied 2.5mm Allen Key, Assemble SLIP RING TO SPOUT

Diagram #8 *For applications where the flow regulator is not required eg bath, a full flow aerator insert has been supplied in this box*



For all servicing needs, please contact CUSTOMER SERVICE on:

FREECALL: 1800 800 919

PHONE: 08 6217 0600

FAX: 08 6217 0699

EMAIL: [customer.service@aldertapware.com.au](mailto:customer.service@aldertapware.com.au)

[www.aldertapware.com.au](http://www.aldertapware.com.au)

V01 240117