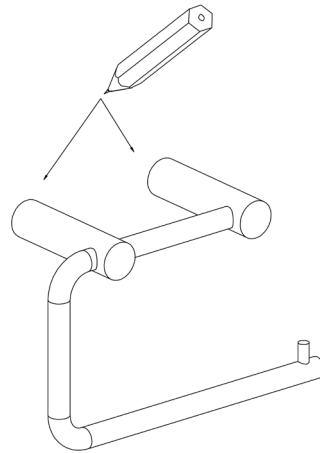


1

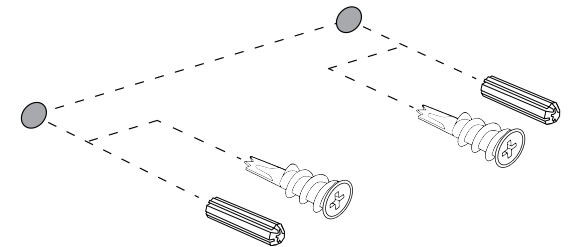
Carefully mark two horizontally spaced and level locations of each wall post on the wall surface. Drill holes with 6.5mm masonry drill bit.



2

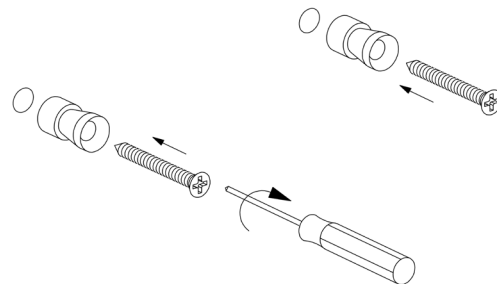
Installation on Tiles:
Push in green wall plugs provided.

Installation on Plasterboard:
Use Ramset Zinc Plasterboard Anchors. Screw in until face is flush with finished wall.



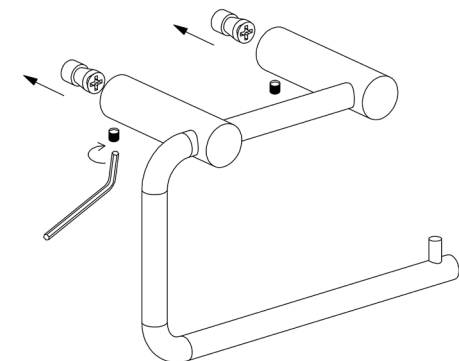
3

Attach the Fixing Blocks to the wall using the supplied Fixing Screws.



4

Assemble the accessory onto the Fixing Blocks with the Allen Screws using the supplied Allen Key.



Note: While we aim to ensure the specification is correct at the time of publication, Alder reserves the right to make modifications without prior notice. Physical colour may vary from the image shown. Always use the physical product measurements for mark-ups and roughing-in as the technical drawing may differ from actual product received. All measurements are in millimetres. This is a generic installation instruction and is intended to support the installation of each product within the AVVA Collection.