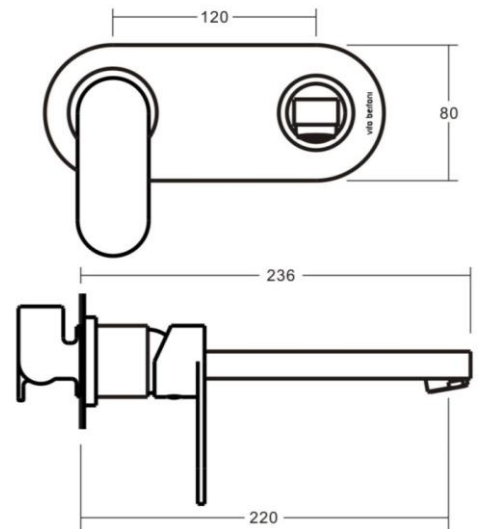


KALI Wall Bath Mixer Set Backplate 220mm

Featuring the Exclusive Collection
vito berton



FOR MORE INFORMATION VISIT
www.aldertapware.com.au

AVAILABLE FINISH:



CHROME



SPECIFICATIONS

PRODUCT CODE:	49891 CHROME
MATERIAL:	BRASS
CARTRIDGE:	35mm ceramic disc
TEMPERATURE:	MAX 75° C
PRESSURE:	MAX 500 Kpa
INSTALLATION:	HORIZONTAL - Lever install LEFT or RIGHT VERTICAL – Lever install at TOP
ACCREDITATIONS:	AS/NZS 3718 – WM 002002

PRODUCT FEATURES

- Streamlined paddle designed lever for contemporary homes
- Solid brass construction with a fixed 220mm spout ensures optimal performance
- SMART INSTALL™ enables you to install in three-different ways with no additional parts required
- Supplied with an Installation Plate for easy and quick install
- Aerator that swivels 12 degrees for more targeted water projection
- Australian designed and engineered
- Supported by a 15 year warranty
- ALSO AVAILABLE in 170mm

