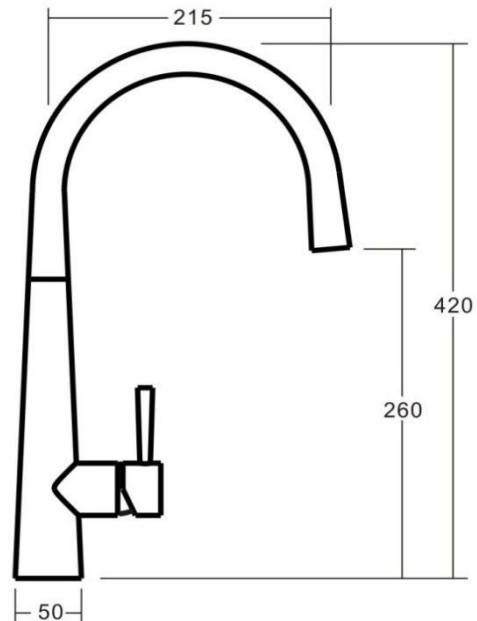


NUOVA Calare Sink Mixer

Featuring the Exclusive Collection
vito berton



FOR MORE INFORMATION VISIT
www.aldertapware.com.au

AVAILABLE FINISHES:



SPECIFICATIONS

PRODUCT CODE:	85325 CHROME 85331 BRUSHED NICKEL 85330 MATT BLACK
WELS:	4 STAR – 7.5 Litres/Min T25910
MATERIAL:	BRASS
CARTRIDGE:	35mm ceramic disc
TEMPERATURE:	MAX 75° C
PRESSURE:	MAX 500 Kpa
CONNECTIONS:	½" BSP Female
INSTALLATION:	DECK HOLE SIZE – 30-32mm BENCH THICKNESS – Max 25mm
ACCREDITATIONS:	AS/NZS 3718 – WM 002002

PRODUCT FEATURES

- NUOVA Calare offers a high-end sophisticated elegance and statement piece for contemporary homes
- Solid brass construction with a gooseneck spout
- Streamlined concealed aerator for contemporary look
- AMOR-KOTE™ superior scratch resistant finishes
- SAVE MODE™ reduces hot water energy costs by up to 20%
- MIXER-LOK™ ensures your mixer never works loose
- Australian designed and engineered
- Supported by a 15 year warranty