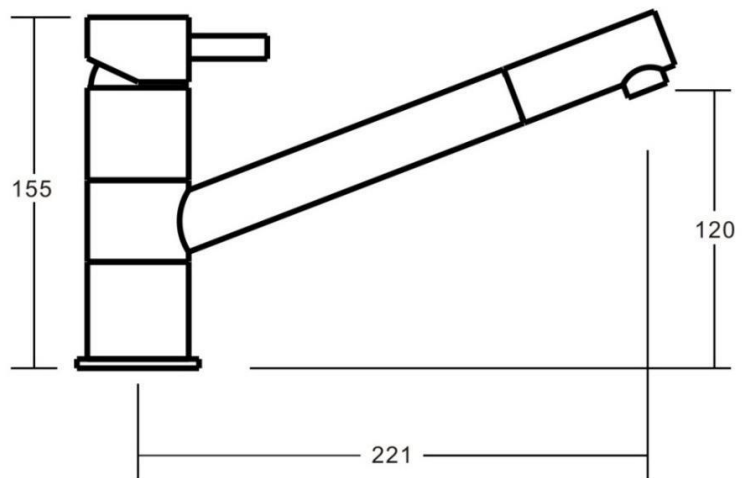
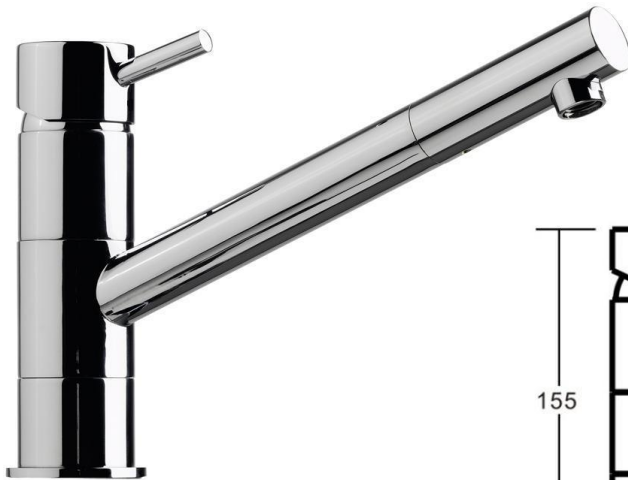


## NUOVA Sink Mixer Swivel

Featuring the Exclusive Collection  
**vito berton**



FOR MORE INFORMATION VISIT  
[www.aldertapware.com.au](http://www.aldertapware.com.au)

AVAILABLE FINISH:



CHROME



### SPECIFICATIONS

PRODUCT CODE & WELS:	85296 WS5 CHROME 5 STAR – 6 Litres/Min T14104 85296 WS4 CHROME 4 STAR – 7.5 Litres/Min T14134
MATERIAL:	BRASS
CARTRIDGE:	35mm ceramic disc
TEMPERATURE:	MAX 75° C
PRESSURE:	MAX 500 Kpa
CONNECTIONS:	½" BSP Female
INSTALLATION:	DECK HOLE SIZE – 30-32mm BENCH THICKNESS – Max 25mm
ACCREDITATIONS:	AS/NZS 3718 – WM 002002



### PRODUCT FEATURES

- NUOVA is a versatile pin lever range that offers modern simplicity
- Solid brass construction which swivels at the body and at the end of the spout for maximum utility
- MIXER-LOK™ ensures your mixer never works loose
- Australian designed and engineered
- Supported by a 15 year warranty
- Also available in a HI Rise extended body (85311)