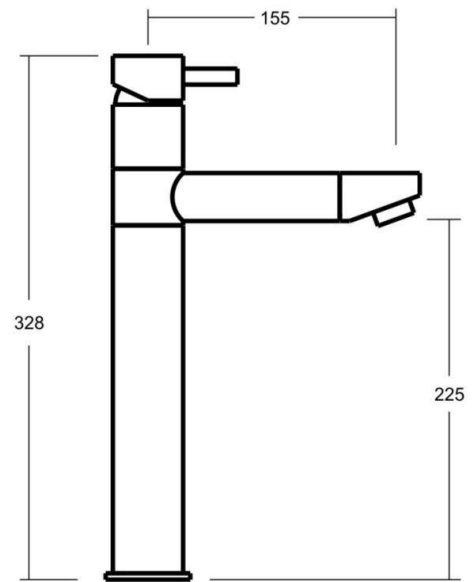


NUOVA Tower Mixer Swivel Extended 335mm

Featuring the Exclusive Collection
vito berton



FOR MORE INFORMATION VISIT
www.aldertapware.com.au

AVAILABLE FINISH:



CHROME



SPECIFICATIONS

PRODUCT CODE & WELS:	85095 WS5 CHROME 5 STAR – 6 Litres/Min T14062 85095 WS4 CHROME 4 STAR – 7.5 Litres/Min T14249
MATERIAL:	BRASS
CARTRIDGE:	35mm ceramic disc
TEMPERATURE:	MAX 75° C
PRESSURE:	MAX 500 Kpa
CONNECTIONS:	½" BSP Female
INSTALLATION:	DECK HOLE SIZE – 30-32mm BENCH THICKNESS – Max 25mm
ACCREDITATIONS:	AS/NZS 3718 – WM 002002

PRODUCT FEATURES

- NUOVA is a versatile pin lever range that offers modern simplicity
- Solid brass construction with a swivel spout for modern living
- Extended Tower mixer is great where extra height is required for above counter basins
- MIXER-LOK™ ensures your mixer never works loose
- Australian designed and engineered
- Supported by a 15 year warranty

