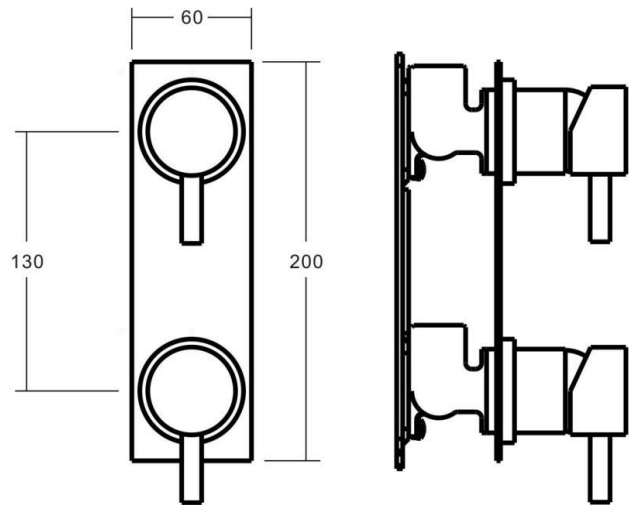


## NUOVA Twin Mixer Backplate

Featuring the Exclusive Collection  
**vito berton**



AVAILABLE FINISH:



CHROME

FOR MORE INFORMATION VISIT  
[www.aldertapware.com.au](http://www.aldertapware.com.au)



### SPECIFICATIONS

PRODUCT CODE:	85392 CHROME
MATERIAL:	BRASS
CARTRIDGE:	35mm ceramic disc
TEMPERATURE:	MAX 75° C
PRESSURE:	MAX 500 Kpa
INSTALLATION:	HORIZONTAL or VERTICAL
ACCREDITATIONS:	AS/NZS 3718 – WM 002002

### PRODUCT FEATURES

- NUOVA is a versatile pin lever range that offers modern simplicity
- SMART INSTALL™ enables you to install in two-different ways with no additional parts required
- Supplied with an Installation Plate for easy installation
- Solid brass construction with 35mm ceramic disc cartridges for optimal performance
- Australian designed and engineered
- Supported by a 15 year warranty

