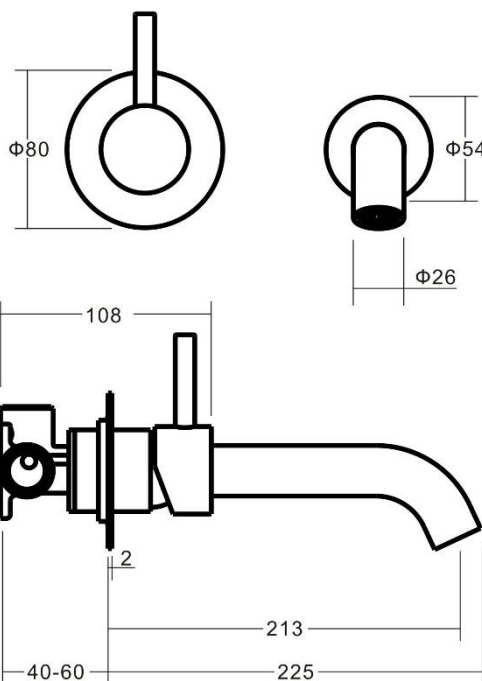


WISH Wall Bath Mixer Set Backplate 220mm

Featuring the Exclusive Collection
vito berton



AVAILABLE FINISHES:



FOR MORE INFORMATION VISIT
www.aldertapware.com.au



SPECIFICATIONS

PRODUCT CODES:	42893 CHROME 40893 MATT BLACK 41893 BRUSHED NICKEL
MATERIAL:	BRASS
CARTRIDGE:	35mm ceramic disc
TEMPERATURE:	MAX 75° C
PRESSURE:	MAX 500 Kpa
CONNECTIONS:	½" BSP Female
INSTALLATION:	HORIZONTAL - Lever install LEFT or RIGHT VERTICAL - Lever install at TOP
ACCREDITATIONS:	AS/NZS 3718 - WM 002002

PRODUCT FEATURES

- Contemporary take on the traditional pin lever with inverted pin, fixed curve spout and backplate
- Solid brass construction with a concealed aerator
- AMOR-KOTE™ superior scratch resistant finishes
- SMART INSTALL™ enables you to install in three-different ways with no additional parts required
- Supplied with an Installation Plate for easy and quick install
- Matching showers and accessories available to complete your bathroom look
- Australian designed and engineered
- Supported by a 15 year warranty
- ALSO AVAILABLE WISH Wall Bath Mixer Set Backplate 170mm