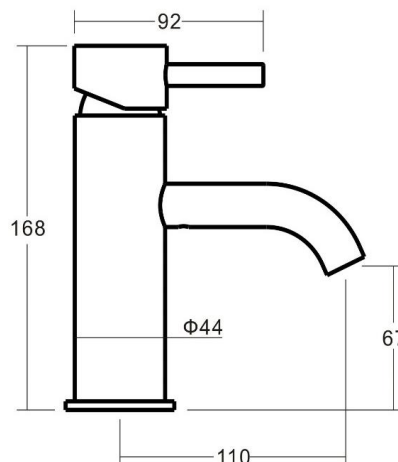


WISH Basin Mixer

Featuring the Exclusive Collection
vito berton



FOR MORE INFORMATION VISIT
www.aldertapware.com.au

AVAILABLE FINISHES:



SPECIFICATIONS

PRODUCT CODES:	42090 - CHROME 40090 - MATT BLACK 41090 - BRUSHED NICKEL
WELS:	5 STAR – 6 Litres/Min
MATERIAL:	BRASS
CARTRIDGE:	35mm ceramic disc
TEMPERATURE:	MAX 75° C
PRESSURE:	MAX 500 Kpa
CONNECTIONS:	½" BSP Female
ACCREDITATIONS:	AS/NZS 3718 – WM 002002

PRODUCT FEATURES

- Contemporary take on the traditional pin lever
- Solid brass construction with a curved spout and streamlined concealed aerator
- SAVE MODE™ reduces hot water energy costs by up to 20%
- AMOR-KOTE™ superior scratch resistant finishes
- MIXER-LOK™ ensures your mixer never works loose
- Matching showers and accessories available to complete your bathroom look
- Australian designed and engineered
- Supported by a 15 year warranty