

PRODUCT: SACHI WALL BASIN/BATH

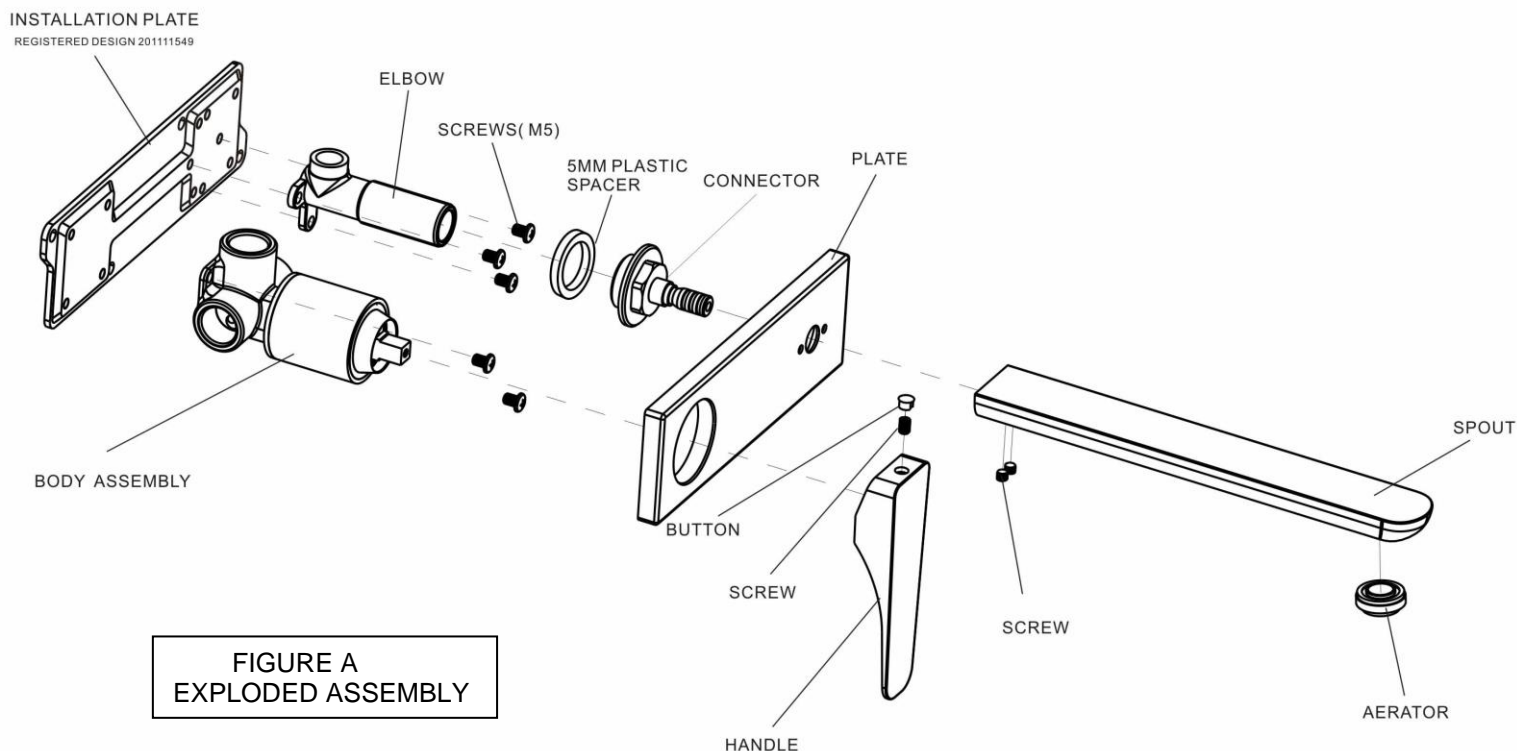


FIGURE A
EXPLODED ASSEMBLY

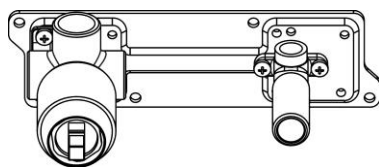


FIGURE B
AS SUPPLIED
LEFT HAND
MIXER OPTION

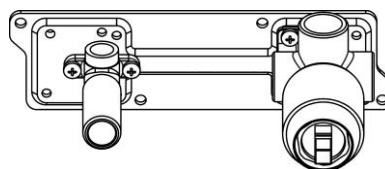


FIGURE C
RIGHT HAND
MIXER OPTION

1. FIGURE A – EXPLODED ASSEMBLY – factory assembled in the LEFT HAND MIXER operation
2. FIGURE B – LEFT HAND MIXER operation
3. FIGURE C – Reassemble components for RIGHT HAND MIXER operation
4. For DOUBLE VANITY
 - LEFT HAND set be installed on the left
 - RIGHT HAND set be installed on the right

For all servicing needs, please contact CUSTOMER SERVICE on:
 FREECALL: 1800 800 919 PHONE: 08 6217 0600 FAX: 08 6217 0699 EMAIL: customer.service@aldertapware.com.au

INSTALLATION: SACHI WALL BASIN/BATH

Diagram #1 Mark desired position of wall set and fit screw on left hand side of install plate

Diagram #2 With the DOTTED LINE on the wall mixer cover at the 12 O'CLOCK POSITION, use levelling tool as shown and mark the right hand side screw hole

Diagram #3 Fit screw on right hand side – check level – fit two additional screws in centre for stability

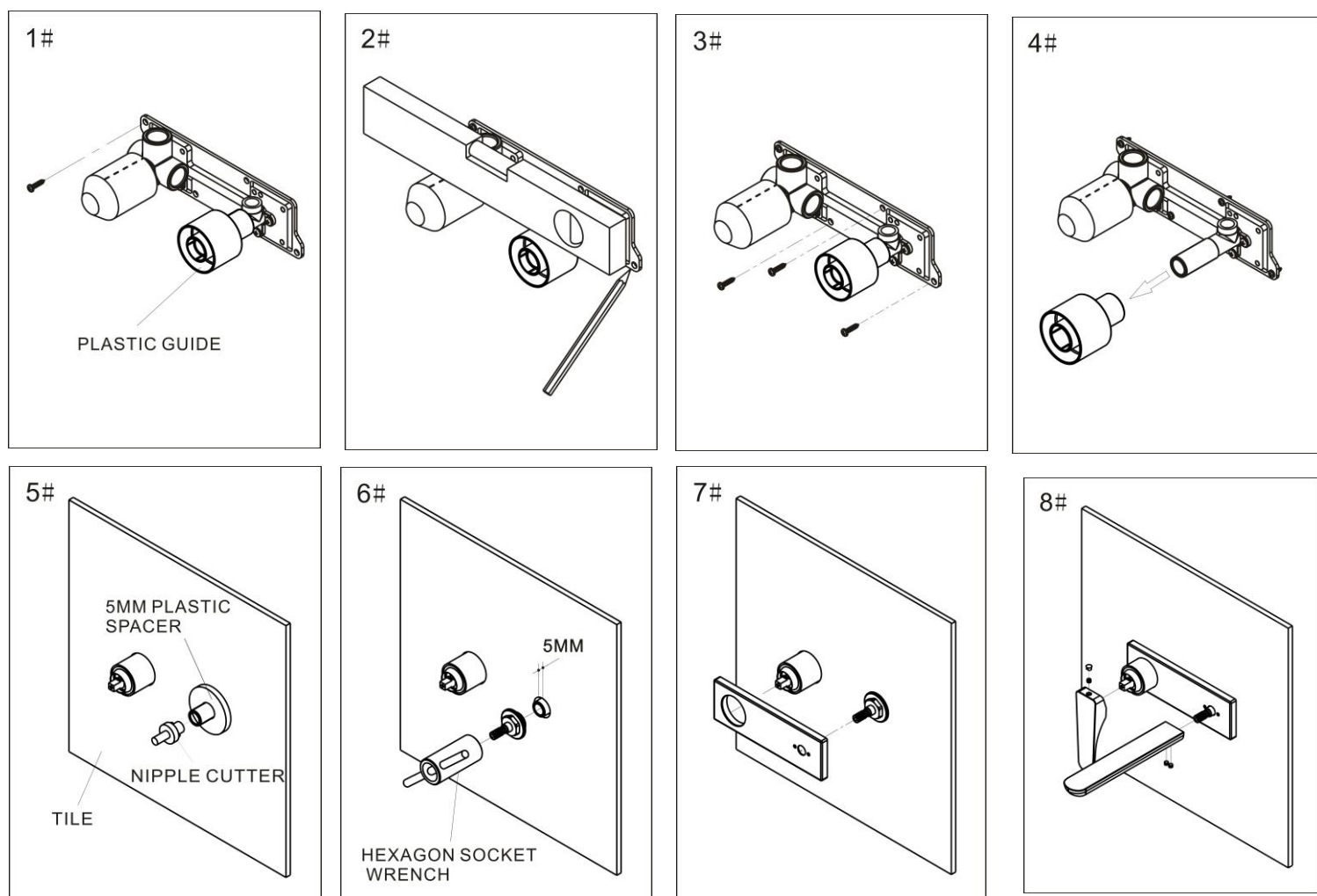
Diagram #4 Remove PLASTIC GUIDE to complete tiling

Diagram #5 After tiling, push 5MM PLASTIC SPACER over 19BP Elbow (5mm PLASTIC SPACER can be found in rear of WALL PLATE) – use NIPPLE CUTTER* (see below) to reduce length of 19BP Elbow to a 5MM PROTRUSION FROM THE TILE FACE

Diagram #6 Remove 5MM PLASTIC SPACER and assemble CONNECTOR onto the 19BP Elbow – screw CONNECTOR up to tile face

Diagram #7 Install WALL PLATE

Diagram #8 Complete assembly by attaching handle and spout as shown



* Recommended NIPPLE CUTTER – Reliance Worldwide Product Code A60-001

For all servicing needs, please contact CUSTOMER SERVICE on:
FREECALL: 1800 800 919 PHONE: 08 6217 0600 FAX: 08 6217 0699 EMAIL: customer.service@aldertapware.com.au

www.aldertapware.com.au

www.vitobertoni.com.au

V03 160822