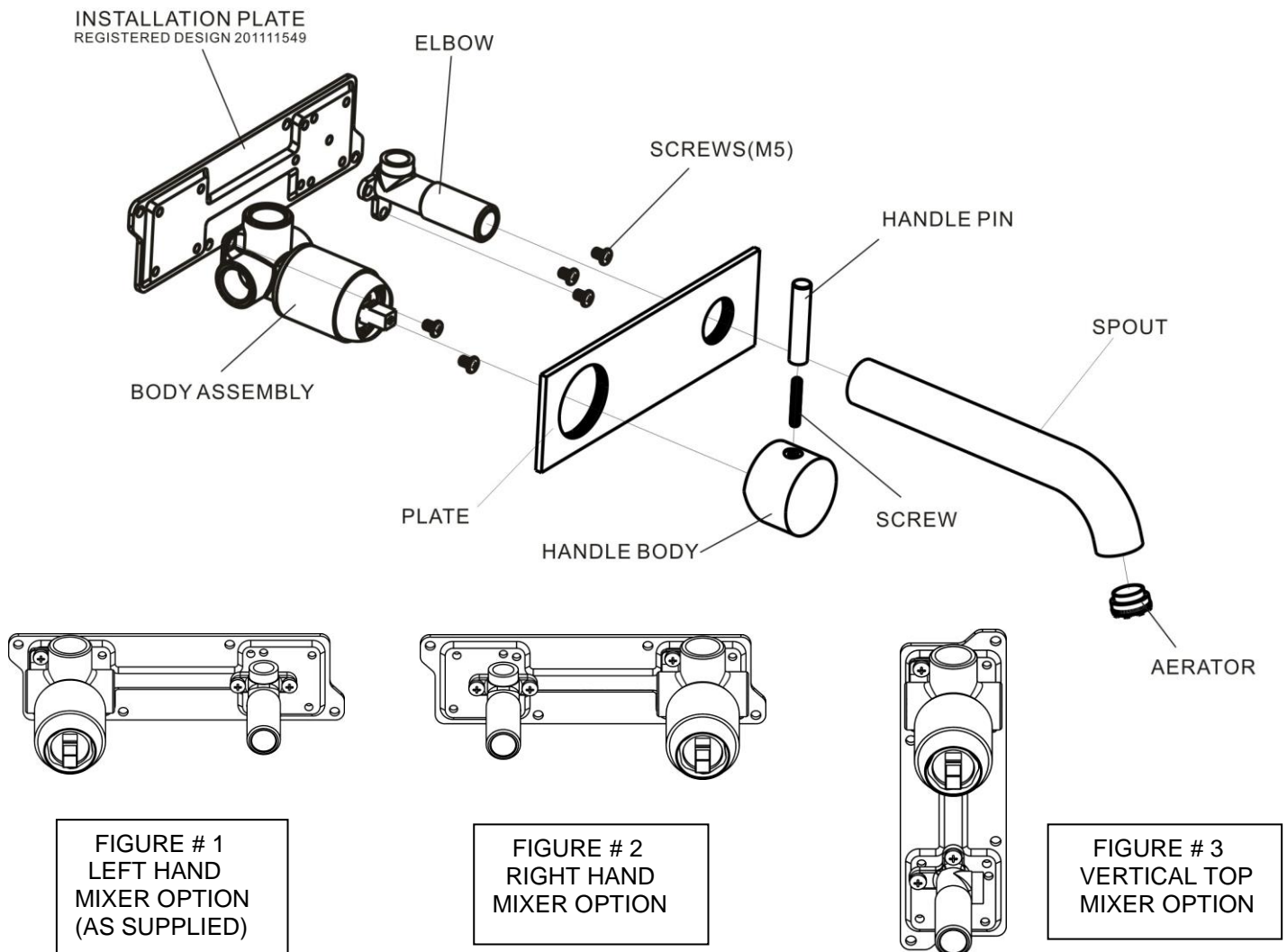


WISH™ WALL BASIN/BATH SETS BP - SMART-INSTAL™

WISH™ WALL BASIN/BATH SET BACK PLATE TK1 WISH™ WALL BASIN/BATH SET BACK PLATE TK2



1. FIGURE # 1 AS SUPPLIED - BASIN / BATH SET is factory assembled in the LEFT-HAND MIXER operation on the INSTALLATION PLATE (Registered Design – 201111549)
2. FIGURE # 2 – Reassemble components for RIGHT HAND MIXER operation
3. For a double vanity, it is recommended that a LEFT-HAND set be installed on the left and a RIGHT-HAND set be installed on the right
4. FIGURE # 3 – reassemble components for a VERTICAL TOP MIXER operation
5. Flush out all pipe work before installation of the mixer
6. MIXER & ELBOW must be square to the wall /tile face
7. Note the markings on the MIXER PROTECTIVE COVER indicate where the final tile face must be

BRICK VENEER – TIMBER NOGGIN INSTALLATION

- Diagram #1 Mark desired position of wall set and fit screw on left hand side of install plate
- Diagram #2 With the DOTTED LINE on the wall mixer cover at the 12 O'CLOCK POSITION, use levelling tool as shown and mark the right-hand side screw hole
- Diagram #3 Fit screw on right hand side – check level – fit two additional screws in centre for stability

For all servicing needs, please contact CUSTOMER SERVICE on:

FREECALL: 1800 800 919

PHONE: 08 6217 0600

FAX: 08 6217 0699

EMAIL: customer.service@aldertapware.com.au

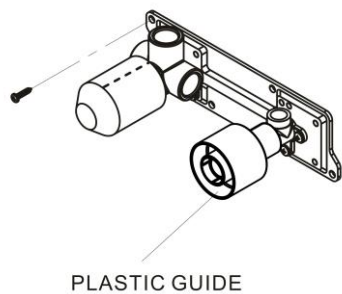
BRICK MASONRY INSTALLATION

- Diagram #1 Fix wall set to brickwork with self-tapping screw in 5mm drilled hole
Diagram #2 With the DOTTED LINE on the wall mixer cover at the 12 O'CLOCK POSITION, use levelling tool as shown and mark the right-hand side 5mm screw hole
Diagram #3 Fit self-tapping screw on right hand side – check level – additional screws not necessary
Assembly is ready to be cemented in position
During cementing, check alignment with levelling tool

GENERAL FOR TIMBER NOGIN & BRICK MASONRY

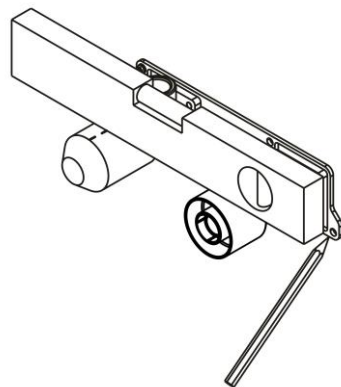
- Diagram #4 Remove PLASTIC GUIDE to complete tiling
Diagram #5 Assemble WALL PLATE to tiled surface
IMPORTANT NOTE - To accommodate the WALL PLATE rear dress rings, the tile cut outs are as follows
- Mixer 54mm cut-out – Sutton Tools Diamond Grit Holesaw – Bunnings Item # 6350460
 - Spout 38mm cut-out – Sutton Tools Diamond Grit Holesaw – Bunnings Item # 6350457
- Diagram #6 Screw on SPOUT to 19BP Elbow using sealing tape
Diagram #7 Assemble HANDLE with supplied 2.5mm Allen Key
Diagram #8 Assembly complete

1#

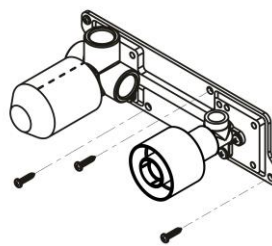


PLASTIC GUIDE

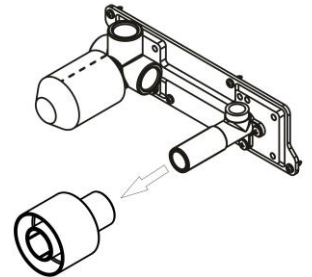
2#



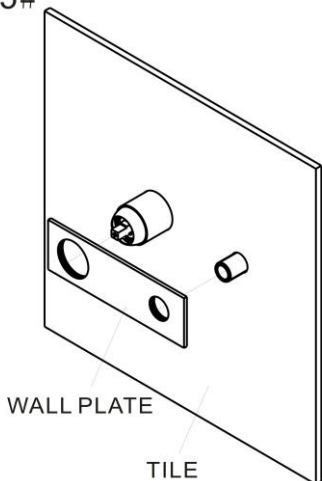
3#



4#



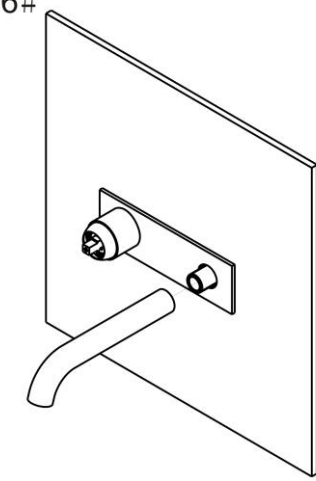
5#



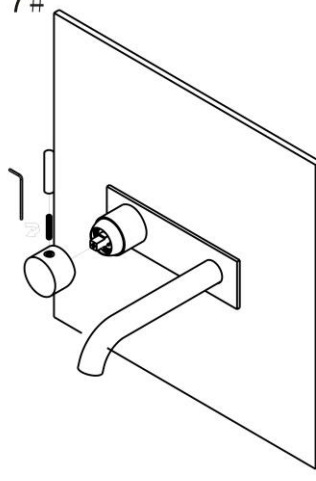
WALL PLATE

TILE

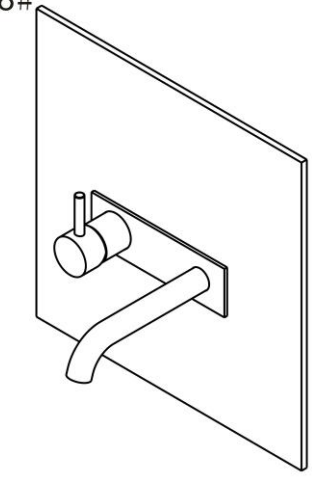
6#



7#



8#



For all servicing needs, please contact CUSTOMER SERVICE on:

FREECALL: 1800 800 919

PHONE: 08 6217 0600

FAX: 08 6217 0699

EMAIL: customer.service@aldertapware.com.au