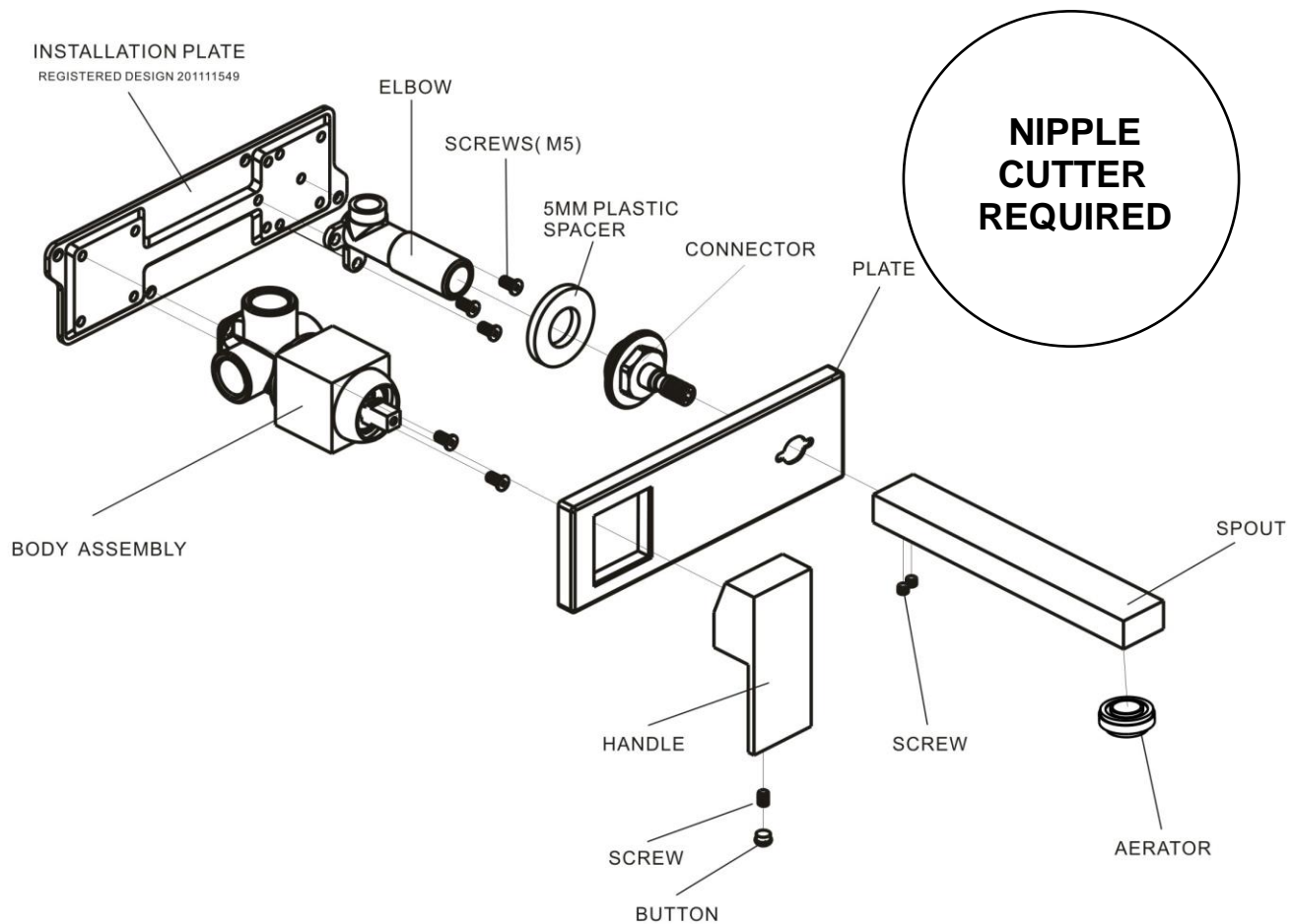


PRODUCT: QAAD WALL BASIN / BATH SET W/- BACK PLATE



WARRANTY

The warranty will be void if the following occur:

- Exposure to pressures that exceed 500 Kpa and or temperatures that exceed 75°C within a building – Refer AS/NZS 3500.1:2003 (Clause 3.34):
- Damage to the ceramic disc cartridge from foreign matter e.g. sand, dirt, stones, thread tape, pieces of copper or plastic tubing etc:
- Inadequate flushing of system prior to usage, causing damage and/or obstructions to the product:
- Damage to product surface due to installation (including adhesives and sealants):
- Failure to install flow regulators and check valves from outlets including showers, sink and vegie mixers: and
- Products fitted with other devices to the outlet e.g. water filters

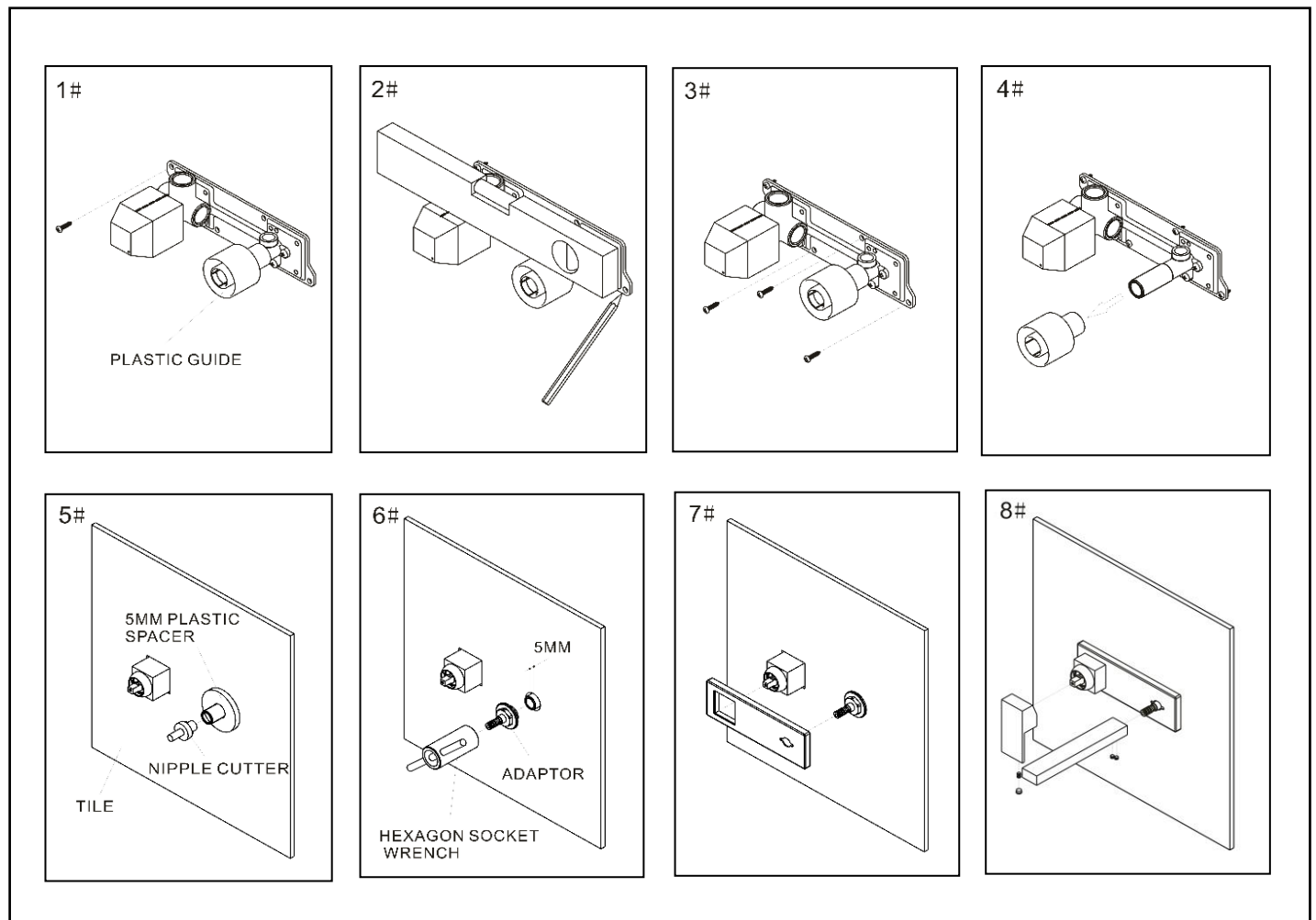


For all servicing needs, please contact CUSTOMER SERVICE on:
 FREECALL: 1800 800 919 PHONE: 08 6217 0600 FAX: 08 6217 0699 EMAIL: customer.service@aldertapware.com.au

INSTALLATION: QAAD WALL BASIN / BATH SET W/- BACK PLATE

- Diagram #1 Mark desired position of wall set and fit screw on left hand side of install plate
- Diagram #2 With the DOTTED LINE on the wall mixer cover at the 12 O'CLOCK POSITION, use levelling tool as shown and mark the right-hand side screw hole
- Diagram #3 Fit screw on right hand side – check level – fit two additional screws in center for stability
- Diagram #4 Remove PLASTIC GUIDE to complete tiling
- Diagram #5 After tiling, push 5MM PLASTIC SPACER over 19BP Elbow (5mm PLASTIC SPACER can be found in rear of WALL PLATE) – use NIPPLE CUTTER* (see below) to reduce length of 19BP Elbow to a 5MM PROTRUSION FROM THE TILE FACE
- Diagram #6 Remove 5MM PLASTIC SPACER and assemble CONNECTOR onto the 19BP Elbow – screw CONNECTOR up to tile face
- Diagram #7 Install WALL PLATE
- Diagram #8 Complete assembly by attaching handle and spout as shown

* Recommended NIPPLE CUTTER – Reliance Worldwide Product Code A60-001



For all servicing needs, please contact CUSTOMER SERVICE on:
FREECALL: 1800 800 919 PHONE: 08 6217 0600 FAX: 08 6217 0699 EMAIL: customer.service@aldertapware.com.au

www.aldertapware.com.au

www.vitobertoni.com.au

V05 171017