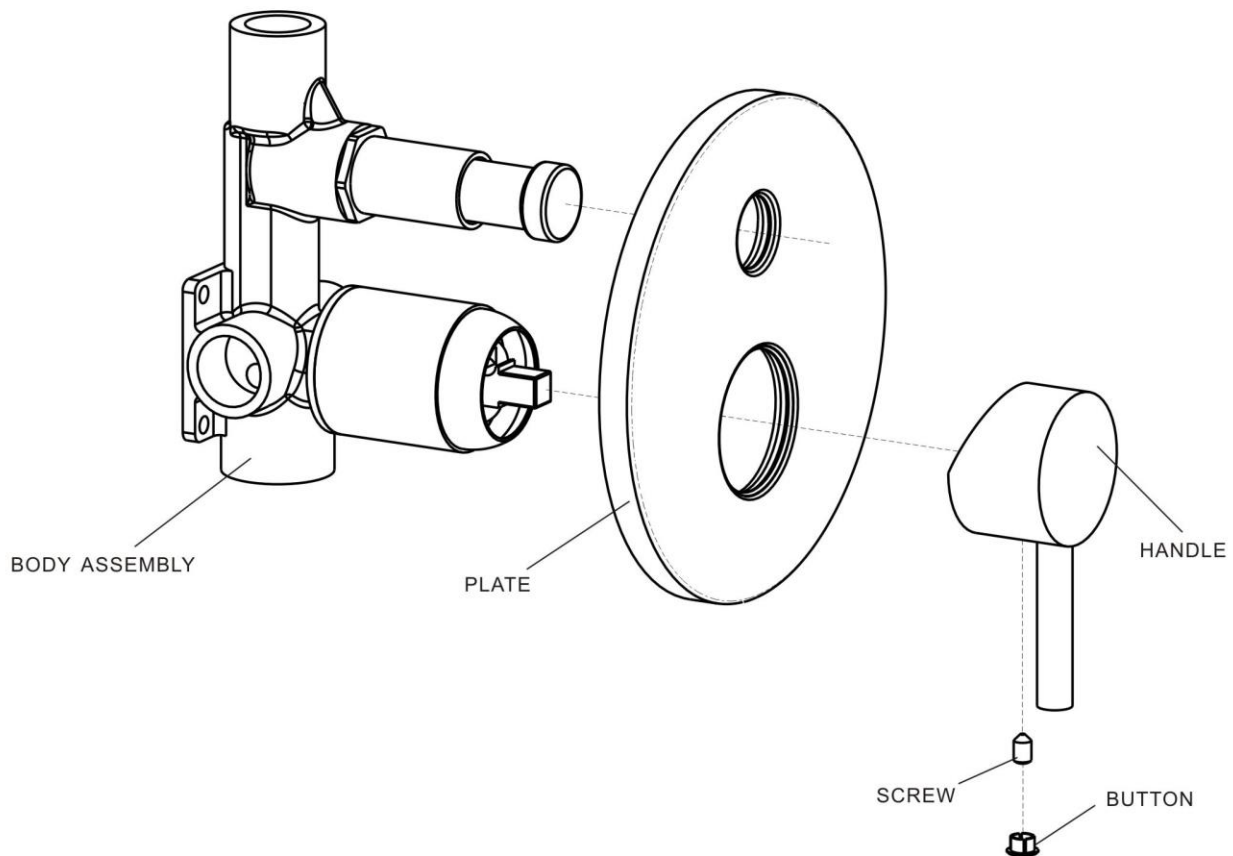


PRODUCT: SHOWER / BATH DIVERTER



WARRANTY

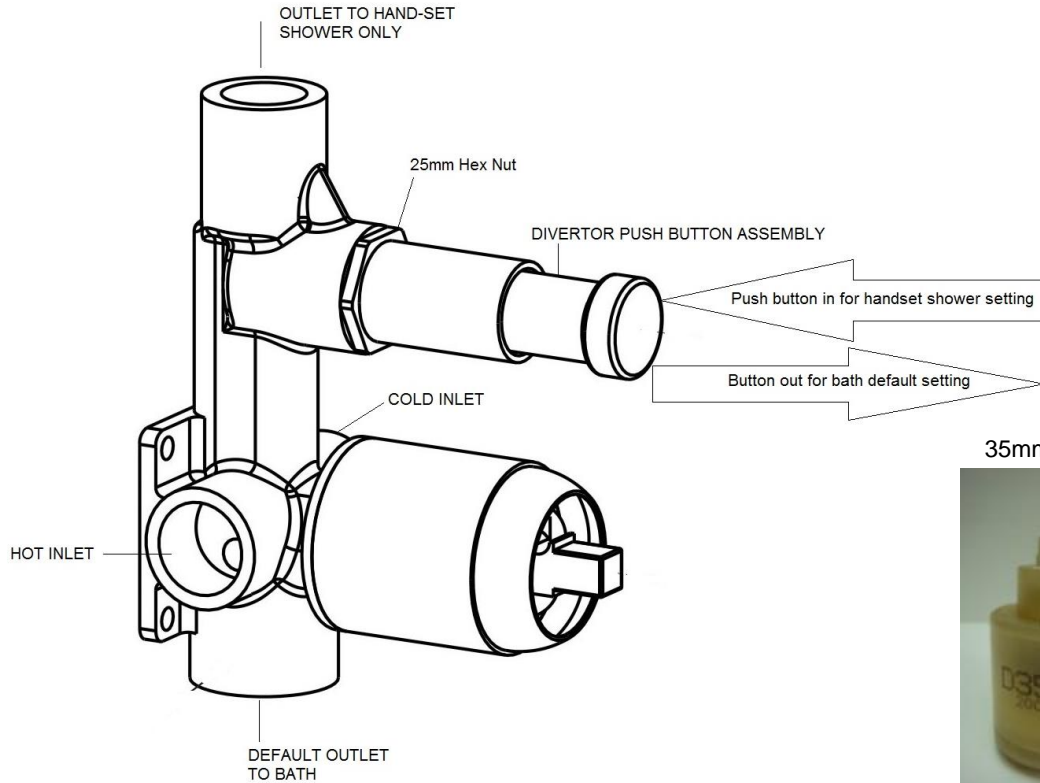
1. This warranty may become void due to the following: -
 - Inability to provide proof of purchase
 - Products not installed by a licensed plumber
 - Products not installed in accordance with installation instructions
 - Products exposed to pressures that exceed 500 Kpa and or temperatures that exceed 75°C within a building – Refer AS/NZS 3500.1:2003 (Clause 3.34)
 - Damage to ceramic disc cartridges from foreign matter e.g. sand, dirt, stones, thread tape, pieces of copper or plastic tubing etc.
 - Inadequate flushing of system prior to usage, causing damage and/or obstructions to the product
 - Damage to product surface due to installation (including adhesives and sealants) or post-installation
 - Failure to install flow regulators and check valves from outlets including showers, sink and vegie mixers
 - Products not used for its intended purpose
 - Products fitted with other devices to the outlet e.g. water filters
 - Failure to observe care and cleaning instructions, including failure to regularly clean aerator inserts in taps and or shower heads



2. Please refer to <https://aldertapware.com.au/contact/> for further information

INSTALLATION INSTRUCTIONS: SHOWER/BATH DIVERTER

1. Brazed connections should not be made directly onto the mixer, as excessive heat will cause permanent damage.
2. System must be thoroughly flushed out of foreign material, prior to installation
3. Secure the diverter body onto a suitable mounting plate or noggin in the wall.
4. When facing the mixer, the connections should be as per drawing below: -



35mm Cartridge



5. Check all connections for leaks
6. Mixer body must be installed vertical and square to the wall/tile face, to ensure the cover plate sits flush.
7. To avoid damage to the chrome finish of the diverter, do not remove the protective covers of the push button assembly and the wall mixer, until installation has been completed.
8. When Rail Shower and Rain Shower are set up as a combination, the rain shower must be the default setting (i.e. similar as bath set setup). In this instance, the button out is the default for the rain shower. Note: if the Rail Shower is setup as the default setting, backflow and water cross-contamination could become an issue.

AFTER TILING

1. Remove the plastic protective cover from the mixer body and the push button assembly.
2. Make sure the back of the wall plate is clean and free of grease.
3. Apply water resistant clear silicone adhesive to the back of the edge of the cover of the wall plate, leaving an unsealed section at the bottom for drainage.
4. Carefully slide the wall plate onto the diverter body and push it firmly against the wall/tile face.
5. Wipe clean any excess sealant from the chrome surfaces and wall/tile face.
6. Fit handle and push fully down, then tighten grub screw using a 2.5mm Allen key.
7. Fit indicator button
8. Turn on the water supply and check the operation of the diverter

NOTE: -

1. If the flow rate reduces on the shower or bath outlets, check the aerator filter to ensure debris is not blocking the flow
2. A pressure limiting device must be fitted, if pressure exceeds 500kPa - Refer AS/NZS 3500.1:2003 (Clause 3.34)
3. Hot and cold-water inlet pressures should be equal