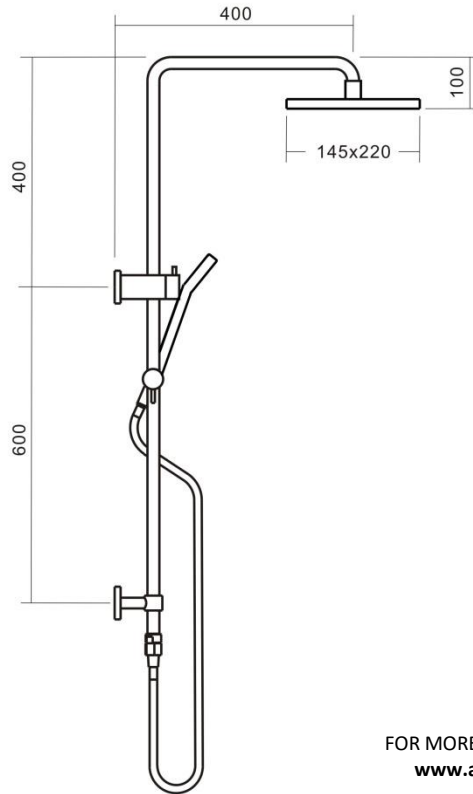


## Eco Dual Elite Rain Shower Rectangular HS150

Featuring the Exclusive Collection  
**vito berton**



AVAILABLE FINISH:



CHROME

FOR MORE INFORMATION VISIT  
[www.aldertapware.com.au](http://www.aldertapware.com.au)



### SPECIFICATIONS

PRODUCT CODE:	98752 CHROME
WELS:	3 STAR – 9 Litres/Min S05763
MATERIAL:	BRASS ARM
TEMPERATURE:	MAX 75° C
PRESSURE:	MAX 500 Kpa
INSTALLATION:	Recommended height for shower outlet 1900mm above the floor
ACCREDITATIONS:	AS/NS3662 Watermark WM-022307 Dual Check Valve System – complies to AS NZS 3500.1:2003

### PRODUCT FEATURES

- ECO DUAL integrates functionality with form, highlighted by the elegant handset and premium features throughout
- Double shower experience with Rain Shower overhead and handset
- Solid brass rail construction with swivel shower head for maximum utilisation and versatility
- Rectangular Rain Shower is a wide 220mm in length
- ULTRA-WIDE showers offer wide shower coverage
- Anti-Twist Polymer Shower Hose 1200mm
- Australian designed and engineered
- Supported by a 15 year warranty