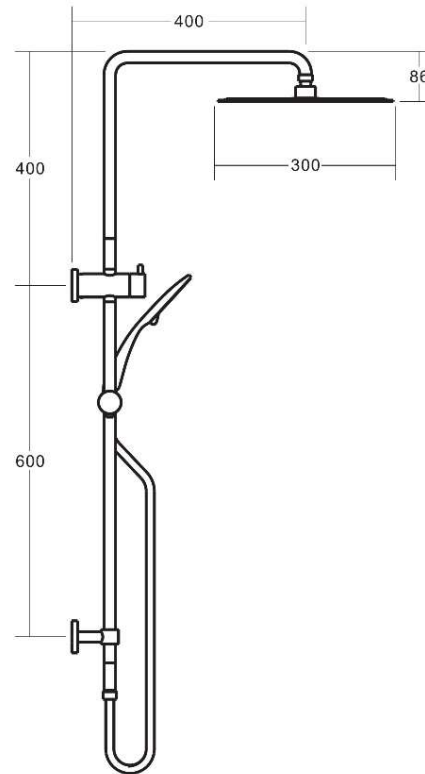


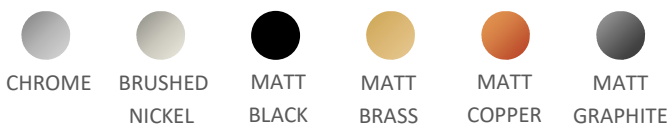
LYNX Eco Dual Shower Round Rain Round 300mm HS375

Featuring the Exclusive Collection
vito berton



FOR MORE INFORMATION VISIT
www.aldertapware.com.au

AVAILABLE FINISHES:



SPECIFICATIONS

PRODUCT CODE:	98818 CHROME 98836 BRUSHED NICKEL 98853 MATT BLACK 98882 MATT BRASS 98883 MATT COPPER 98881 MATT GRAPHITE
WELS:	3 STAR – 9 Litres/Min S09854, S09859
MATERIAL:	STAINLESS STEEL RAIN SHOWER 300MM
TEMPERATURE:	MAX 75° C
PRESSURE:	MAX 500 Kpa
INSTALLATION:	Recommended height for shower outlet 1900mm above the floor
ACCREDITATIONS:	AS/NS3662 Watermark WM-022307 Dual Check Valve System complies to AS NZS 3500.1:2003

PRODUCT FEATURES

- Minimalist and architectural design combine to create the LYNX range of showers
- LYNX double shower delivers luxurious Rain Shower and NANOJET™ 3x function handset
- Super slim 2mm round stainless steel shower head that is a generous 300mm in diameter
- AMOR-KOTE™ superior scratch resistant finishes
- ULTRA-WIDE showers offer wide shower coverage and an invigorating strong shower spray
- Solid brass rail construction with swivel shower head for maximum utilisation and versatility
- Anti-Twist Satin Shower Hose 1500mm
- Australian designed and engineered
- Supported by a 15 year warranty