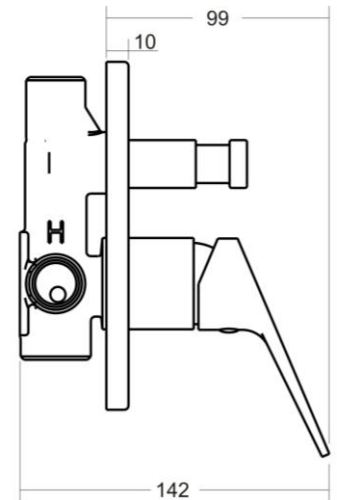
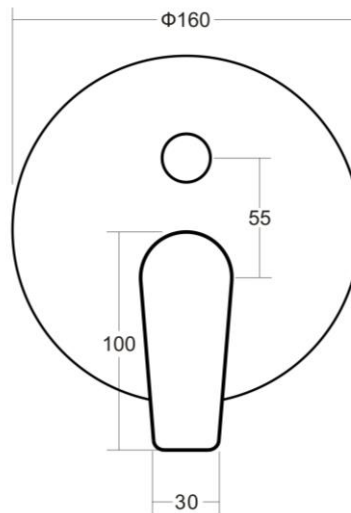


MAXX Shower Bath Diverter

Featuring the Exclusive Collection
alder tapware



FOR MORE INFORMATION VISIT
www.aldertapware.com.au

AVAILABLE FINISHES:



SPECIFICATIONS

PRODUCT CODE: 31822 CHROME
31852 MATTE BLACK
31882 BRUSHED NICKEL

MATERIAL: BRASS

CARTRIDGE: 35mm ceramic disc

TEMPERATURE: MAX 75° C

PRESSURE: MAX 500 KPA

ACCREDITATIONS: AS/NZS 3718 – WM 002002

PRODUCT FEATURES

- MAXX is a fresh take on a paddle lever for a more architectural design
- H & C etched on handle
- AMOR-KOTE™ superior scratch resistant finishes
- Australian designed and engineered
- 15 year cartridge warranty
- 7 year finish warranty
- Part of the Alder Tapware Collection that is designed specifically for Builders